

## Obstruction light W red GF2003W

For marking of wind power plants during night

The obstruction light GF2003W is part of the Heliport Lighting System for wind energy plants and is a red obstruction light for night use. It has been developed and designed for marking of wind energy plants.

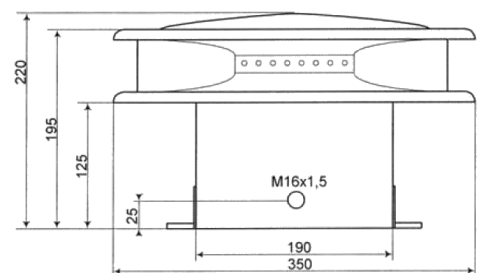
It is designed to comply with the requirements of the German Federal Ministry of Transport for night obstruction lighting.

### Technical data:

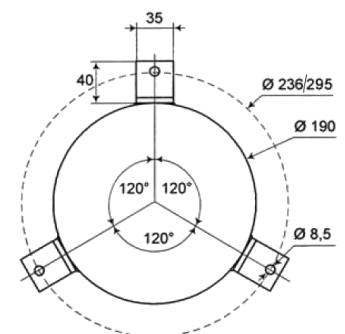
■ Typ	GF2003W
■ Input voltage (control)	90 ... 264 V AC; 127 ... 370 V DC, 47 ... 63 Hz
■ Power consumption (per obstruction light)	20W average
■ Light source	High-performance-LED, red
■ Optics	Fresnel optics
■ Flashing characteristics	W red as defined in recommendations
■ Average life time	40.000h
■ Light intensity, effective	100 cd red, horizontal 360°
■ Environmental conditions	designed for outdoor use even under difficult conditions, between -40 and + 80°C
■ Housing	Cast aluminium, powder-coated, traffic white
■ Degree of protection	IP 66
■ Electrical connection	terminals max. 2.5 <sup>2</sup>
■ Dimensions	See drawings
■ Weight	Approx. 4 kg
■ Mechanical stress	Vibration-resistant



Side View



Bottom View



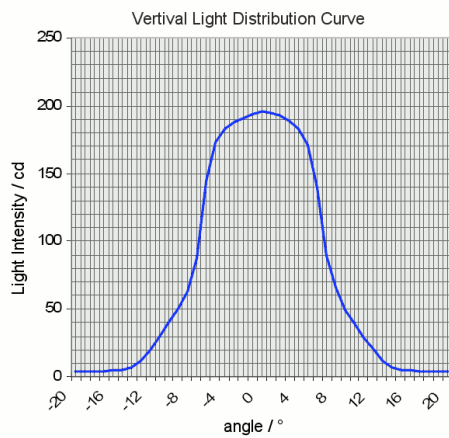
**The key benefits of the obstruction light and the lighting system:**

- Synchronous flashing of any number of obstruction lights in windparks
- Reduction of light intensity (by additional visibility meter)
- Special lenses to minimize disturbing light influence at the ground
- LED-technology for long life time and a low energy consumption
- Low weight and robust, weather-, vibration-resistant housing

**Special technical characteristics:**

- Robust electrical design: one or more eventual defective LEDs do not affect the operation of the whole obstruction light
- Voltage surge protection integrated in both obstruction light and control
- GPS-receiver, photoelectric switch and LED-controller integrated or optionally in external housing
- Mounting solution for horizontal adjustment
- Pluggable connector assembly at cabine roof for easy maintenance works at the wind power plant
- Use of shielded cable protects from interferences (i.e.surge voltages)
- Uninterruptible Power Supply for 1 hour integrated, for up to 10 hours in external housing
- Failure alarm control

**Light characteristics:**



**In accordance with the following recommendations:**

- Specifications of the German Federal Ministry of Transport, published in Aeronautical Publication NfL I 97/03.
- Certified by the German Federal Ministry of Transport

