

Solar light HPA704

For marking of aviation obstacles

The solar light HPA704 is a light for aviation marking, it can be installed easily and causes no maintenance or servicing for up to 5 years.

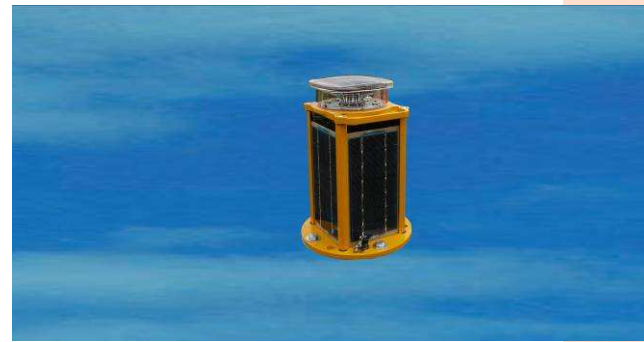
The light is a self-contained and independent wireless unit. Solar cells, LED modules and an exchangeable battery are placed in on housing. It turns on automatically at night time and has 6 light intensity levels. It is possible to activate temporary high intensity mode and a battery check.

Reliable technology:

The HPA704 features an innovative combination of solar power and LEDs. The solar light charges during the day, even under cloudy conditions. Instead of traditional incandescent bulbs in the HPA704 are used durable, ultra bright LEDs with an average service life of up to 40'000 hours. As an added feature, a DC cable connector allows external charging or the use of a supplementary power source.

Typical applications:

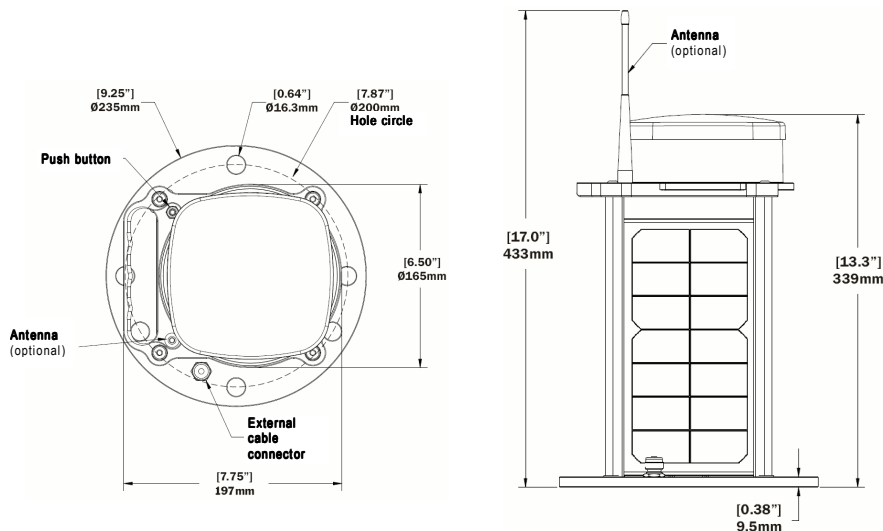
- Portable airfield lighting
- Application as treshold lights
- Marking of aviation obstacles
- Marking of final approach and take off area (FATO)
- Marking of touchdown and lift-off area (TLOF)
- Marking of landing direction lines
- Marking of aiming points
- Helipad edge lighting
- Runway edge lighting
- Marking of buildings, towers, cranes, chimneys,...



All specifications are subject to change without notice.

Technical data

- **Optics**
 - Effective light intensity 15 cd (automatic operation)
50 cd (temporary, low intensity)
100 cd (temporary, high intensity)
 - Range infrared-LEDs 7 NM (approx. 13km)
 - Available colours red, cool white, warm white, green, red/green, red/warm white, amber/warm white, amber/cool white
 - Colour specification all according to ICAO Annex 14 and FAA AC 150 5345/46B, AC 150 5345/50A
 - Horizontal output 360°
 - Vertical divergence 0 - 30°
- **Operation**
 - Maximum autonomy
(without re-charging) max. 200 hours (normal operation)
max. 45 hours (temporary, low intensity)
max. 15 hours (temporary, high intensity)
 - Number of LEDs 8 high-power-LEDs
 - Lifespan of LEDs 40'000 hours
 - Programming push button on the top plate (incl. key lock)
- **Construction**
 - Solar Panel mono-crystalline solar cells,
potted with UV-protected polyurethane,
 - Battery AGM-battery
(replaceable, recycable)
 - Lens material UV-stabilized polycarbonate
 - Battery venting vent at the bottom of the lantern
 - Sealing self-contained unit, sealed with gaskets
 - Dimensions height 339 mm, Ø 235 mm
 - Weight 11.75 kg
 - Base plate aluminium, seawater resistant
 - Mounting 3- or 4-bolt mounting pattern
- **Temperature range** -30 ... 50°C
- **Degree of protection** IP67 (NEMA 6)
- **CE-Approval** EN 60945:1997
- **Trademarks and Patents:** USA: 5782552 & 6013985,
EU: 96925627.0, other patents pending



All specifications are subject to change without notice.