

Inset light HIN

Omnidirectional inset light for heliport lighting

The inset lights type HIN are omnidirectional inset lights for lighting of heliports and can be used in many applications.

Applications:

- Lighting of touch-down and lift-off area (TLOF)
- Lighting of final approach and take-off area (FATO)
- Approach lighting
- Aiming point
- Marking of the taxiway centrelines / taxiway edges
- Edge marking of apron

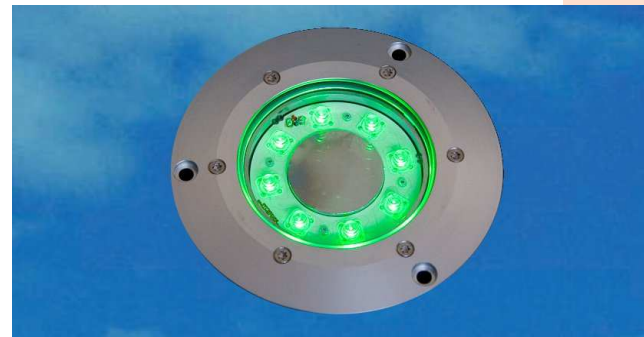
For using as TLOF-lights they are equipped with green LEDs and approve together with the flood lights OP425 the surface perceptibility of the touch-down and take-off area.

For other applications, for example FATO-lights, aiming point lights, marking of taxiways and apron the inset light HIN is available also in the colours white, yellow and blue.

It has an excellent photometric performance obtained by the high-performance-LEDs and therefore a better luminous output in relation to a traditional lamp. Due to high optical stability no internal adjustment is necessary, the LED are positioned at factory and cannot be disturbed. The photometric data comply with ICAO Annex 14 Volume II.

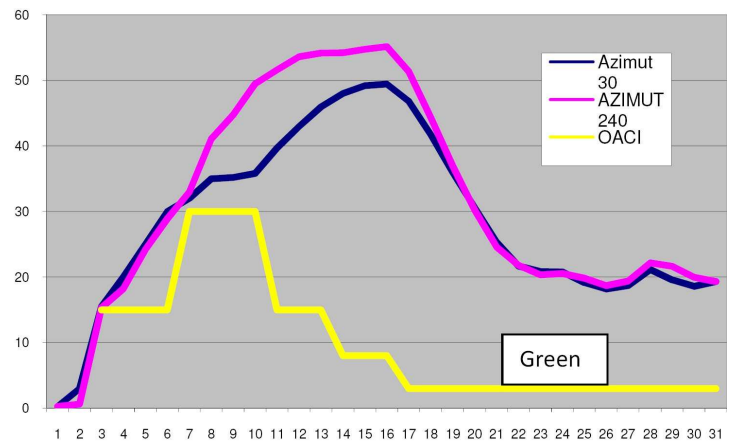
The inset light HIN is easily to maintain and easily to replace. The low depth, the light weight and the connector make an easy installation possible. All external parts are made of aluminium (stainless steel available on request), all fixings are made from stainless steel.

The inset light can be installed at surface level and elevated heliports. several installation solutions are available.

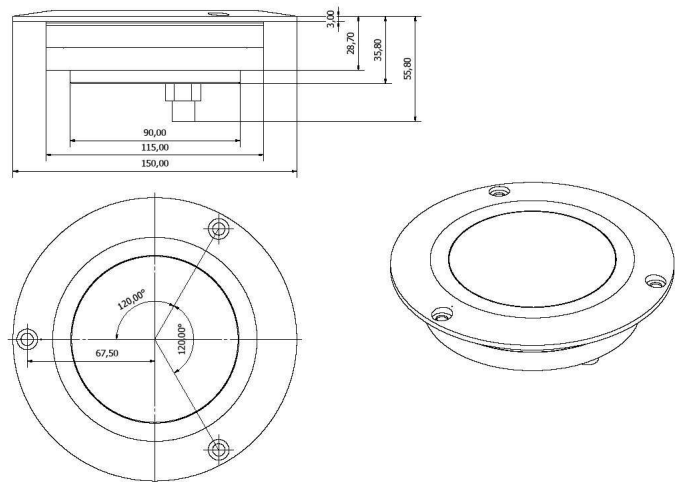


Technical data:

■ Input voltage	12 to 48VAC/VDC or 110 to 230 VAC (with separate light brightness regulator [LBR])
■ Power consumption	20W
■ Light source	High-performance-LED
■ Light intensity	in 3 steps adjustable (with LBR)
■ Average life time	40'000 hours
■ Cable connection	plugable
■ Degree of protection	IP 68
■ Low depth	150 mm
■ Low projection	4mm
■ Weight	0.6 kg
■ Photometric data:	



■ Dimensions



Types:

■ HIN-150-G	Colour green
■ HIN-150-W	Colour white
■ HIN-150-Y	Colour yellow
■ HIN-150-B	Colour blue
■ Other types on request (for example stainless steel)	

In accordance with the following recommendations:

- ICAO Annex 14 Vol. II 5.3.3/5.3.6/5.3.7/5.3.9
- Helicopter Manual

All specifications are subject to change without notice.